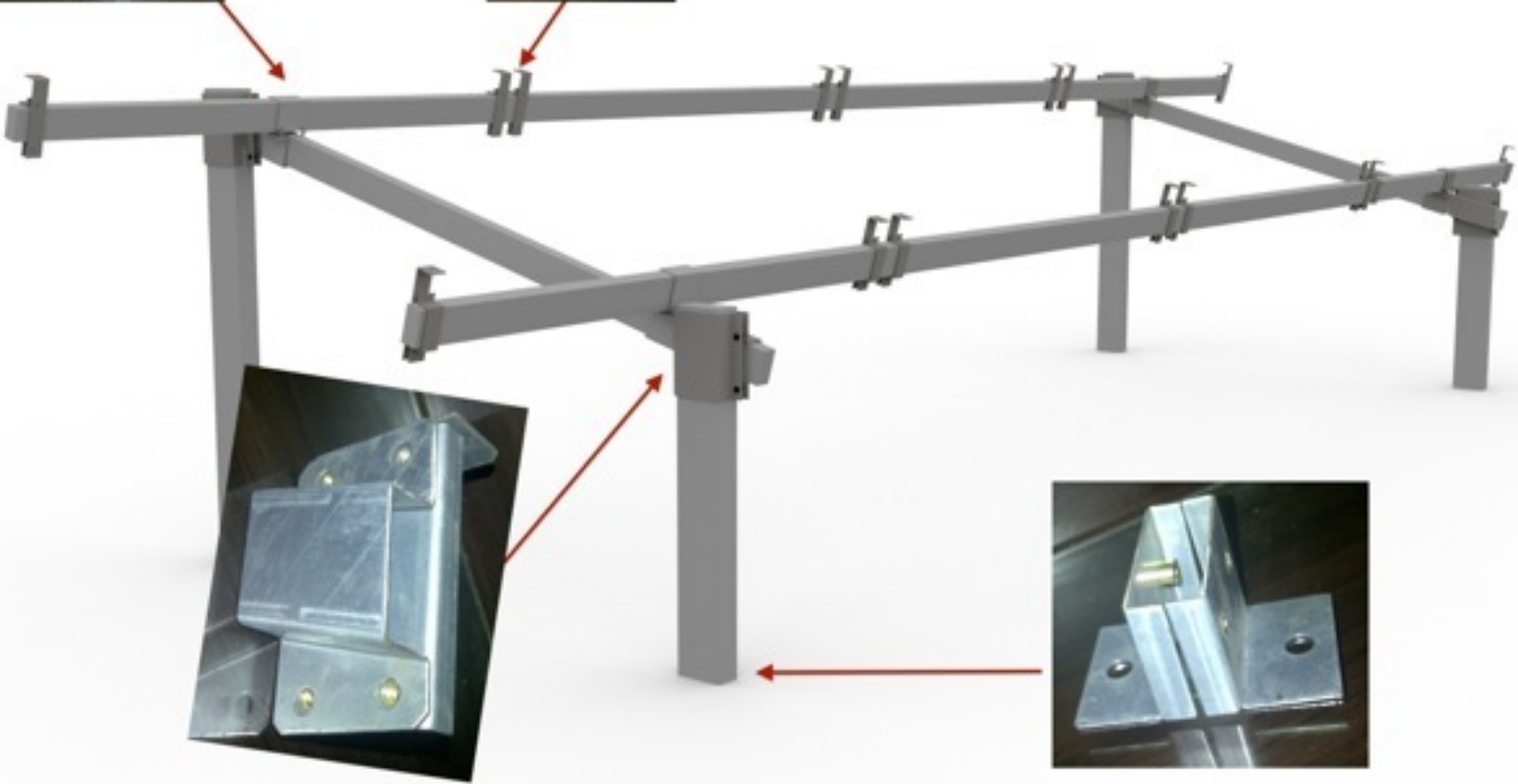
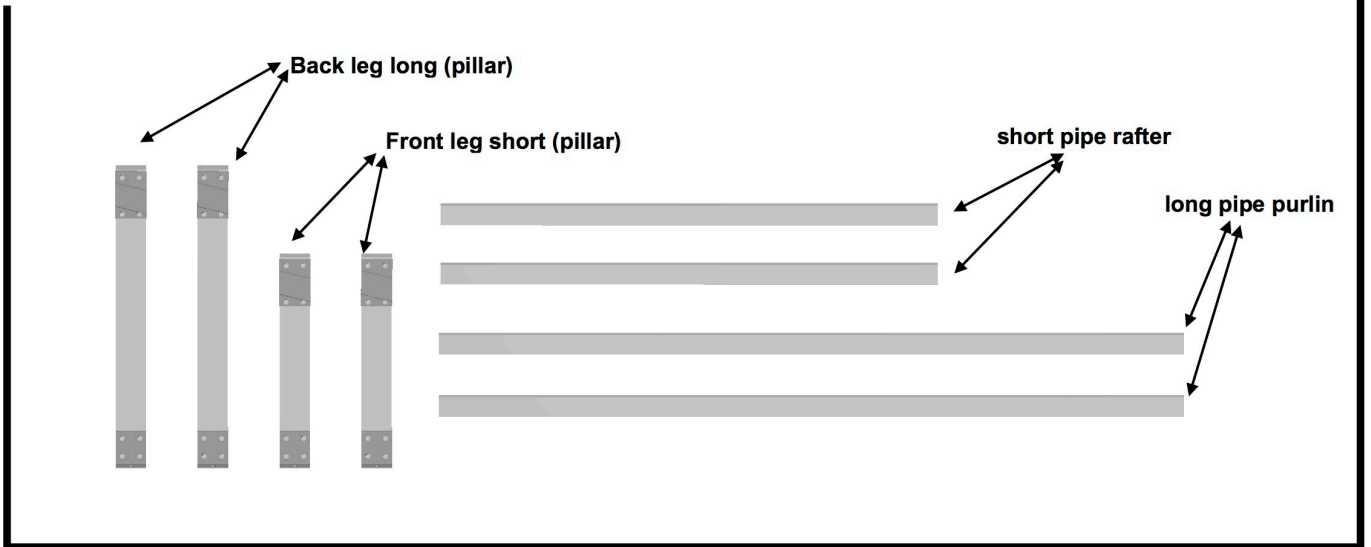


Panel Structure with Fasteners

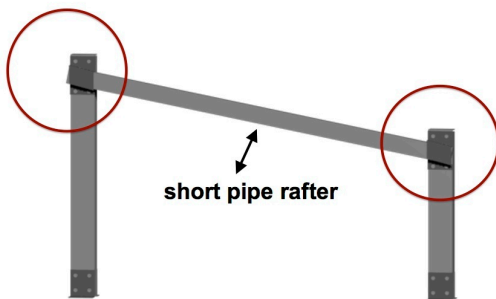


FRAME ASSEMBLY STEPS



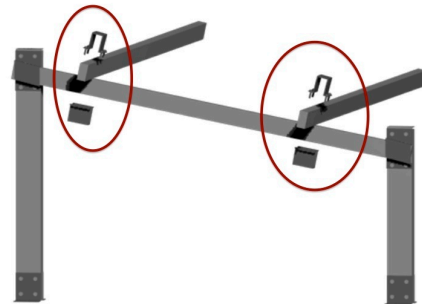
Step 1

- loose the bolts in the pillar fastners
- Place the short pipe into the pillar fastners of both legs
- Repeat the same to the other leg as well



Step 2

- Place the long pipe purlin over the rafter
- Use the Purling to Rafter coupler to mount them together on both legs
- Do not tighten bolts - the Purling rods need to be adjusted based on panel size



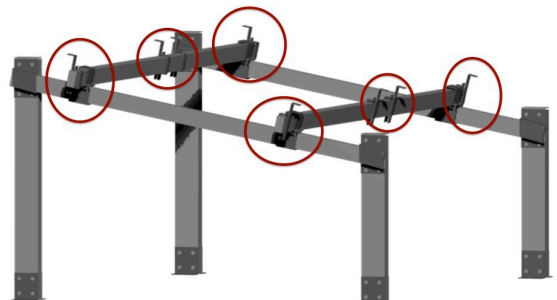
Step 3

- Tighten Pillar fastner nuts



Step 4

- mount panel C clamps as shown below
- Do not tight the panel C clamps
- you can now place the panels over the C clamps
- Adjust Purling rod as necessary



Step 5

- Tighten all nuts and bolts

Note : Frame should be placed in such a manner the short leg should be facing true south

